

Electronics 1: Chapter 5 figs

Alan Robert Clark

April 19, 2022

Note that the source code for the figs can be seen by clicking the pic. You will need to use your Browser's BACK button to return to this page.

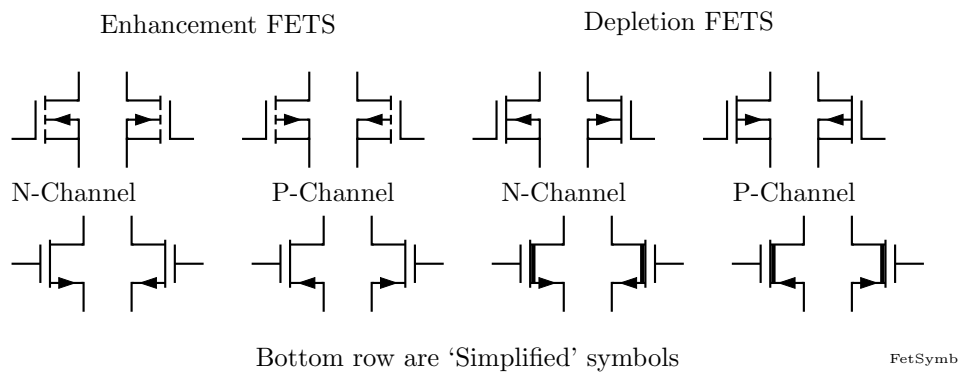


Figure 1: Symbols of MOSFETS

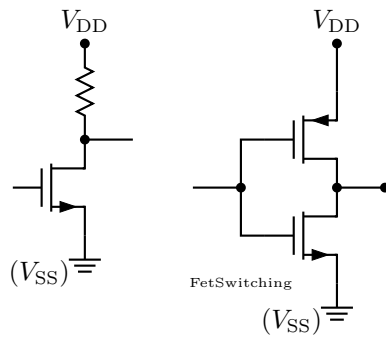


Figure 2: Simple FET Switch and a CMOS Inverter