

Chapter 4 figs ELEN4001

Alan Robert Clark

April 18, 2022

Note that the source code for the figs can be seen by clicking the pic. You will need to use your Browser's BACK button to return to this page.



Figure 1: A terminated Beverage “long-wire” antenna

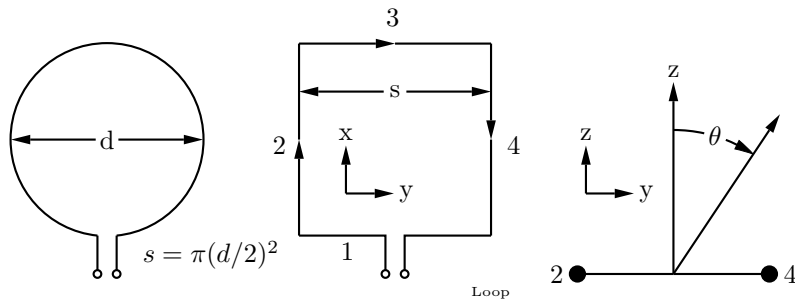


Figure 2: A small loop antenna in the $x - y$ plane.